



Complex engineering and logistic solutions
for industries

Activity areas

Engineering
Beluga Engineering
& Technology

Fleet
Beluga Marine

Projects Logistic
Beluga
Projects Logistic

EPC/EPCM
Beluga Construction

Solutions

Complex projects
combinability of the machinery & equipment

Execution of works
in cramped conditions

**Installation of oversized cargo
at the different elevations**
including below ground level

**Moving and heavy lifting
of assembled equipment**
without stopping production

**Without dismantling load-
bearing structures**
moving equipment into buildings

Alternative to crane operations
due to greater mobility and compactness



We reduce costs

using craneless lifting technologies and detailed elaboration of logistics schemes



We reduce time

of installation with fully assembled equipment at ground zero



We execute works in cramped conditions

without dismantling the roofs of workshops and disturbing the thermal circuit



We work in difficult weather conditions

taking into account natural areas, features of the landscape and the construction site



We minimize risks

of equipment damage and accidents



We provide engineering and construction consulting

at the early stages of design engineering of industrial facilities and equipment

Design engineering and organization of heavy lifting, installation and transport works at:

- new construction
- operating production
- overhaul
- modernization or production expansion



Technical audit, **equipment selection**,
process modeling

Installation/dismantling of heavy **process**
equipment

Replacement of assembled/disassembled
equipment **at various heights**

Horizontal movement
using skidding system or jacking

Large-scale assembly of industrial
equipment

Transportation, load-in, load-out, project
position installation

Factory relocation



Oil and gas



Chemical industry



Machinery



Power



Mining industry



Manufacturing industry



Metallurgy



Infrastructure



Ports and shipyards

- Planning of work execution, process flow charting, 3D modeling
- Route survey, transport and lifting equipment type selection, load calculation
- Design of cargo securing plan
- Design of rigging equipment
- Technical audit and optimization of existing projects
- Roll-in and roll-out projects (RO-RO method)
- Development of ship lifting and dredging projects
- Positioning process design for anchor and sluice systems and underwater objects



- Transportation by road, water and railway transport
- «Last mile» turnkey project execution: transshipment, transportation, discharging
- Moving over/under pipelines, overpasses and other construction and civil infrastructure objects
- Installation of industrial equipment: turbines, machine tools, generators, presses, etc. to project position
- SKD (large-scale) assembly of process equipment
- Installation/dismantling of bridge spans and transport infrastructure elements
- Lifting / lowering and moving of equipment using strand jacks, gantry and skidding systems



- Transport engineering
- Transportation of special equipment, oversized and heavy industrial cargo
- Development and approval of road traffic organization procedure
- Obtaining a special permit for the oversized heavy cargo transportation on the territory of Russia and other countries
- Transportation by specialized road and railway transport
- Fleet chartering, organization of sea and river towing
- Obtaining emergency approvals (navigation after season closure)
- Customs services and insurance



- Organization of sea and river towing
- Provision of towing services during mooring operations
- Chartering of special purpose vessels
- Positioning of ships and offshore facilities, anchor handling
- Offshore projects support
- Transportation of bulky and heavy cargoes by water transport
- Commercial and technical management of ships of the third owners
- Dredging and underwater technological operations



- Development of engineering solutions and project documentation
- Procurement/supply of equipment and materials on a turnkey basis
- Organization of construction works
- Performance of certain types of construction and installation works by own strength or subcontracting
- Coordination of subcontractors
- Minimizing the risk of postponing project deadlines

Result:

- Construction **process continuity**
- **cost-effectiveness** and **safety**

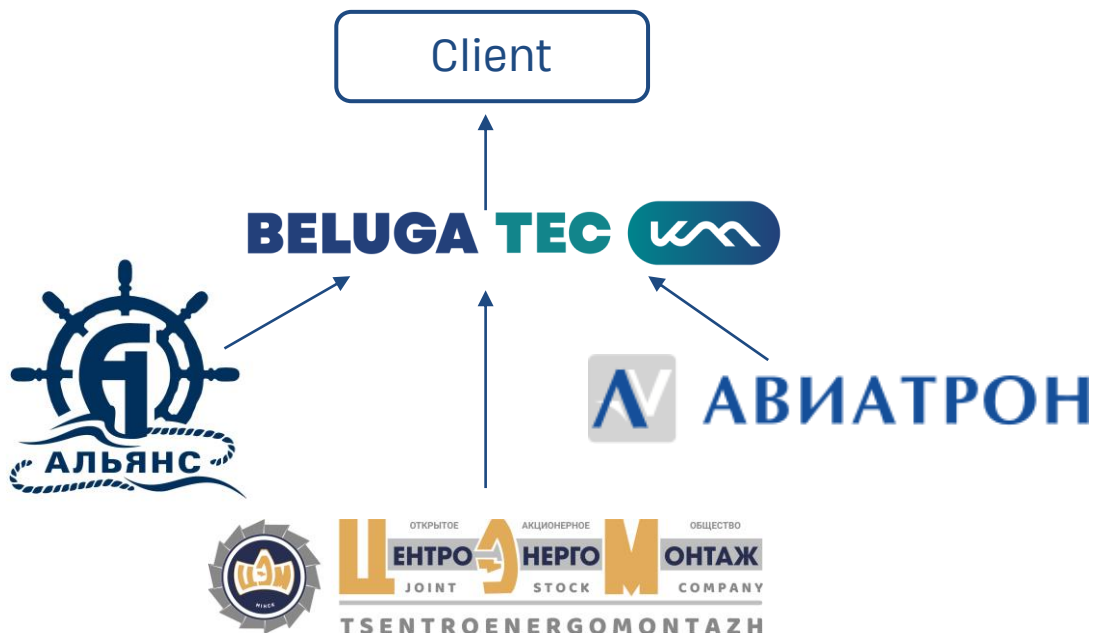


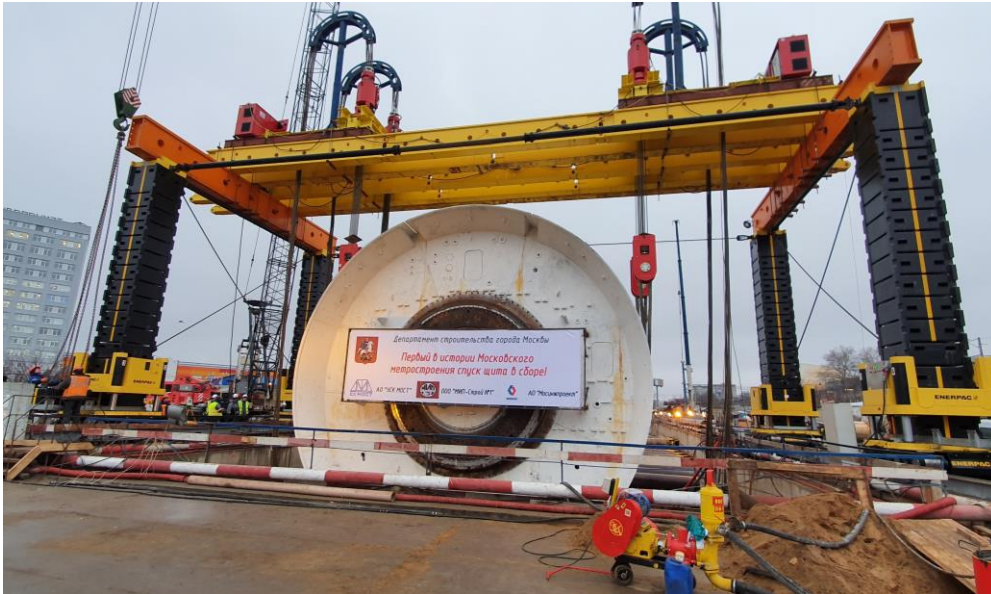
Consortium of BELUGA TEC partners – one-stop solution for the Client

We accumulate the potential of our partners in order to:

- + optimize the use of resources
- + create a unified transparent system of construction process management
- + engage as executors (co-executors) of a contract concluded as a result of a tender or under subcontracts

- Organization of procurement/supply of equipment and materials on a turnkey basis
- Transportation projects using water and land transport
- Realization of planned, overhaul and emergency repairs
- Rapid mobilization of transport and lifting equipment





Installation at different elevations including below ground level

- + Assembling and lifting equipment in confined spaces
- + Parallel operation to reduce construction time
- + Lowering the load below ground level
- + Load positioning accuracy up to 1 mm



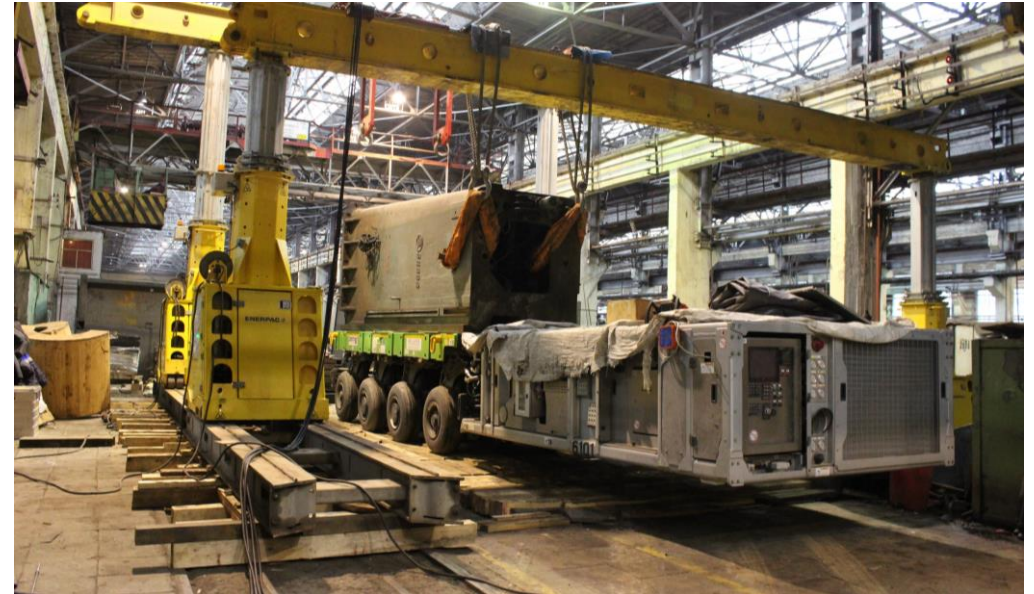
Lifting and rigging of equipment without stopping production process

- + Load tilting without stopping production process
- + Dismantling and moving of assembled and disassembled equipment
- + Installation and relocation of equipment without dismantling of load-bearing structures and roofing
- + Execution of works in cramped conditions



Moving equipment without dismantling load-bearing structures

- + Lifting oversized heavy cargo to various heights
- + Horizontal relocation into technological cutouts
- + Replacement of equipment without dismantling existing production lines and communications



Alternative to crane operations due to greater mobility and compactness

- + Jack and Slide Solutions
- + Loading on transport, unloading on the foundation
- + SKD (large-scale) assembly of equipment



Complex projects

combinability of the fleet, transport and lifting equipment

- + Unique technical and engineering solutions
- + Roll-in and roll-out projects (RO-RO method)
- + Loading / unloading
- + Installation in the project position

- + Construction of temporary berths
- + Dredging
- + Diving operations at a depth of 35-40 m
- + Lifting operations

Transportation and installation of the boiler drum Volgogradskaya TPP, 2022

Weight: 114 t
Length: 19,6 m
Lifting height:
27,8 m



Stator replacement Kalinin NPP, 2022

Weight: 333 t
Length: 9 m
Width: 5,2 m
Height: 4,6 m



Transportation of the reactor vessel Kursk NPP, 2021

Weight: 347,5 t
Length: 11,3 m
Width: 5,7 m
Height: 5,3 m



Stator replacement Novocherkasskaya SDPP, 2022

Weight: 288 t
Length: 8,7 m
Diameter: 4,7 m



Transportation and installation of the drum Nevinnomysskaya SDPP, 2020

Weight: 145 t
Length: 19,6 m
Diameter: 2,5 m



Dismantling of the stator Novocherkasskaya SDPP, 2018

Weight: 288 t
Length: 8,7 m
Diameter: 4,8 m



Equipment delivery Nizhneturinskaya SDPP-2, 2014

Weight: 240 t



Installation of a gas turbine Yuzhnouralskaya SDPP, 2013

Weight: 340 t



Equipment relocation JSC «Kuibyshev Refinery», Samara, 2023

Weight: 52 t
Length: 25 m
Height: 5,5 m
Width: 4,67 m



Verticalization of hydrogen bullets LLC «Irkutsk Polymer Plant», Ust-Kut, 2023

Weight: 107,8 t
Length: 18,6 m
Height: 3,7 m
Width: 3,9 m



Replacement of buoyancy tanks RMD CPC-R JSC «Caspian Pipeline Consortium – R», 2022

Weight: 14 t
Diameter: 2,5 m
Height: 3,1 m
Length: 7 m
Dives: 300



Equipment relocation JSC «Gazprom Neft-Omsk Refinery», Omsk, 2020

Weight: 161 t
Length: 64,7 m
Diameter: 6,1 m



Success stories

Oil and gas

Transportation of heavy cargo to the berth of Belokamenka vlg. LLC «Renaissance Heavy Industries», Murmansk, 2022

Weight: 480 t



Dredging at the berth of the Omsk Oil Refinery LLC «Gazprom Neft-KS», 2022

Volume: 15,000 cub. m



Dismantling the stinger section LTD «Mortransservice», St. Petersburg, 2021

Weight: 250 t



Installation of rudder propellers, Murmansk LLC «Global technologies of innovative systems», 2021

Weight: 45,6 t



Success stories

Oil and gas

Delivery and movement of parts of the R202 regenerator Ural Oil Refinery «BASHNEFT», Ufa, 2015

Weight: 150 t



Delivery of reactors and coke chambers JSC «Antipinsky Oil Refinery», Tyumen, 2014

Length: 42,10 m
Diameter: 8,33 m
Total weight:
6 465,7 t



Delivery and loading of reactors Refinery «Lukoil», Kstovo, 2013

Weight: 200 t



Reactor moving OAO «Gazprom oil-Omsk Refinery», Omsk, 2011

Weight: 315 t
Length: 28 m
Diameter: 4 m
Height: 5 m



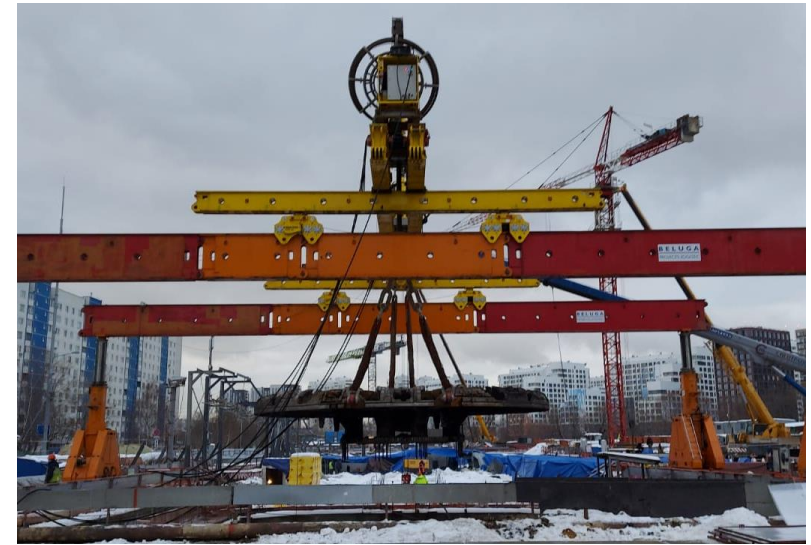
Construction of a bridge across the river. Volga JSC «Roads and Bridges», Samara region, 2022

Depth: 30 m
Formwork
weight: 1038 t



Lifting parts of the tunneling shield JSC «BTS MOST», Moscow, 2022

Weight of largest
element: 180 t
Depth of
foundation pit: 27
M
Total weight of
elements: 1522 t



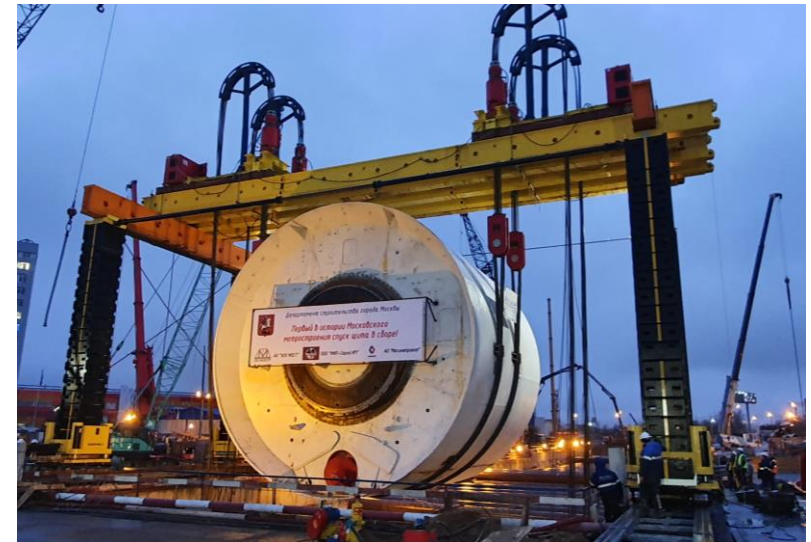
Installation of a bridge span JSC «Roads and Bridges», Kubinka, 2021

Weight: 803,4 t
Length: 98,02 m
Width: 6,57 m
Height: 16,87 m



Assembling and lowering the TMC to the project position JSC «CMC MOST», Moscow, 2019

Weight: 870 t
Depth of
foundation pit: 27
M



Success stories

Machinery

Dismantling the SKODA machine
JSC «Elektrostal Heavy Engineering Plant», Elektrostal, 2023

Weight: 87 t
Length: 2,5 m
Height: 5,9 m
Width: 1,6 m



Moving the press beds PJSC «Chelyabinsk Forge and Press Plant»,
PJSC «Avtodiesel», Yaroslavl, 2023

Weight: 126 t, 85 t



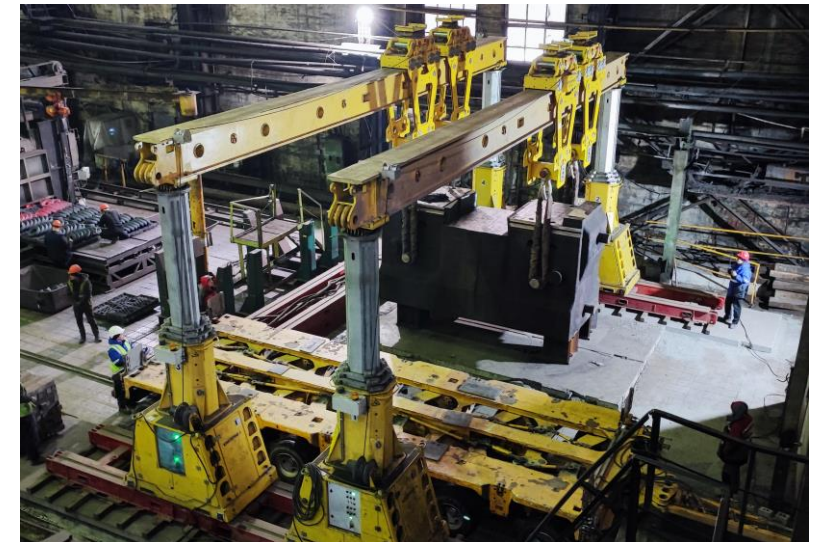
Moving and mounting of pressing equipment
LLC Oryol steel rolling plant, Oryol, 2022

Weight: 65 t



Replacing the inertial block of the hammer
PJSC «Chelyabinsk Forge and Press Plant», Chelyabinsk, 2022

Weight: 422 t
Length: 6,9 m
Height: 6,9 m
Width: 2 m



Success stories

Mining and metals

Unloading and installation of mixers PJSC «Magnitogorsk Iron and Steel Works», 2018

Weight: 472т/92 т
Length: 22М/15 m
Diameter: 5,3 m



Mill transportation JSC «Polyus Gold», Magadan, 2013

Weight: 900 t



Handling and installation of hot rolling mills parts JSC «Kamensk-Ural Metallurgical Plant», 2016

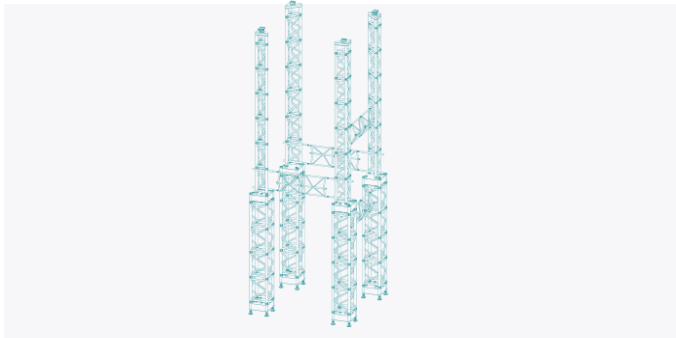
42 details
Weight: from 80
to 512 tons
Length: до 22 m
Diameter: до 6 m



Presses movement PJSC «Magnitogorsk Iron and Steel Works», 2018

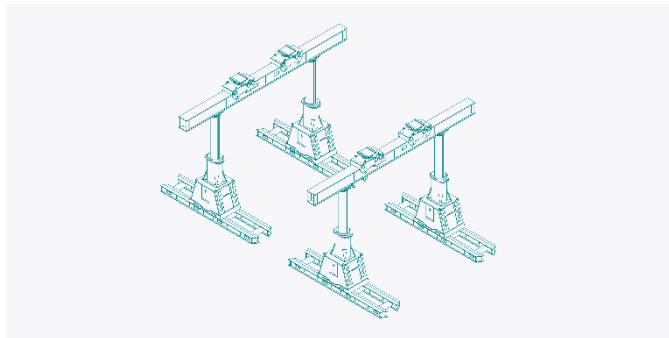
Weight: 600 t
Length: 6,3 m
Height: 13,4 m
Width: 5 m





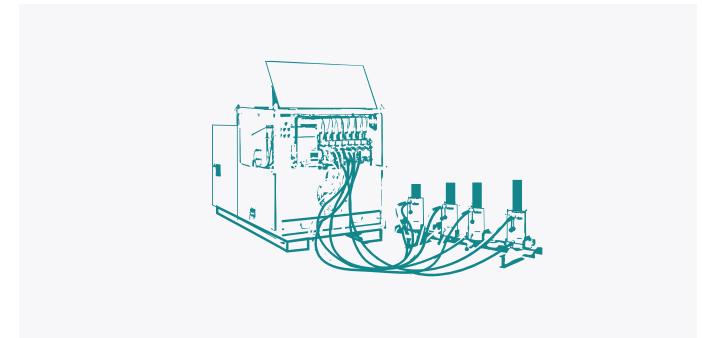
Greiner "Power Tower"

- Capacity up to 3600 t
- Lifting height up to 31 m



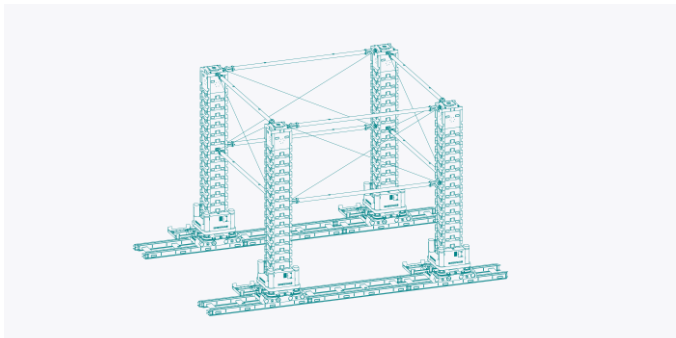
**Gantries "SBL-1100",
"SBL-500", "SL-300" Enerpac**

- Capacity up to 1100 t
- Lifting height up to 12 m



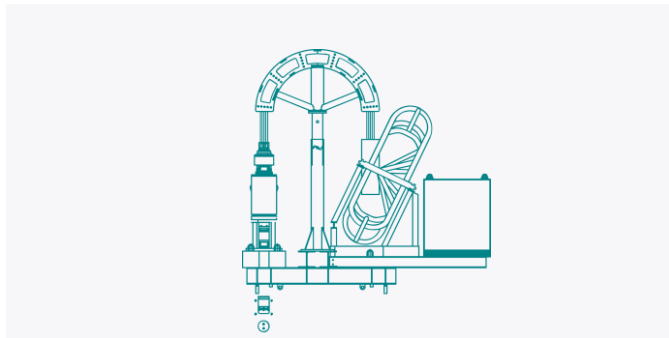
**Synchronous lifting system
"EVO System"**

- Capacity from 50 t to 500 t



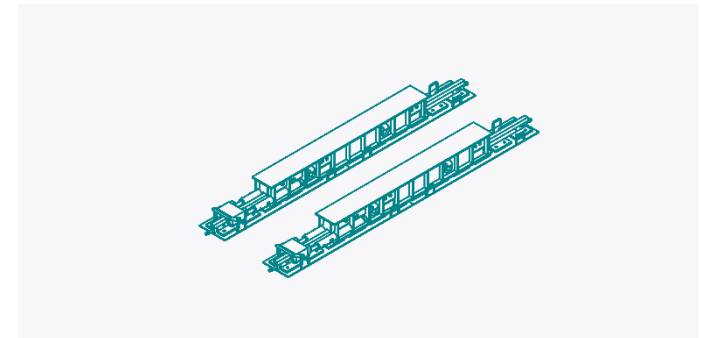
**Jack-Up System «JS250
Enerpac»**

- Capacity up to 1000 t
- Lifting height up to 25 m



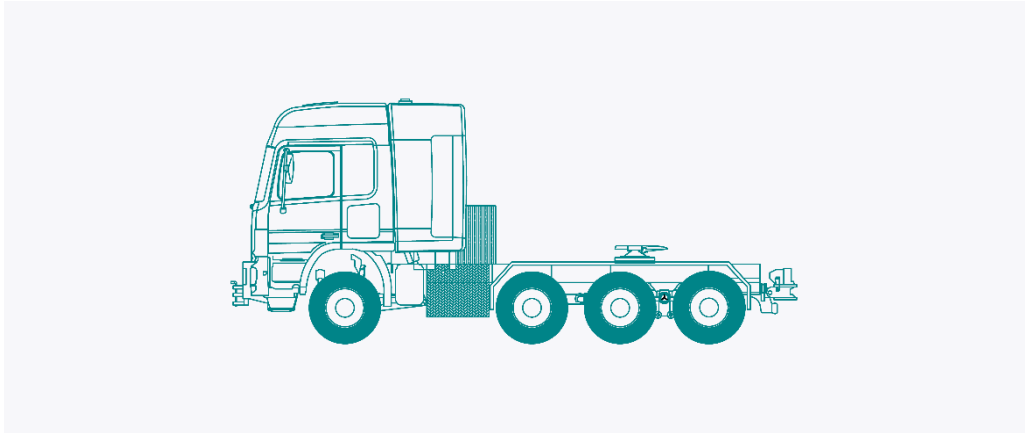
Strand Jacks «HSL20006»

- Capacity 220 t
- Lifting and lowering height up to ~ 2 km



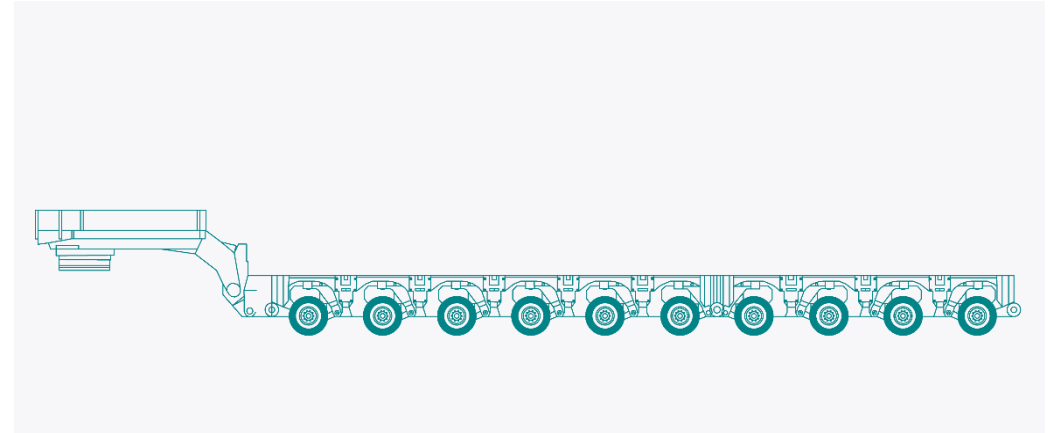
Skidding System

- Capacity up to 500 t



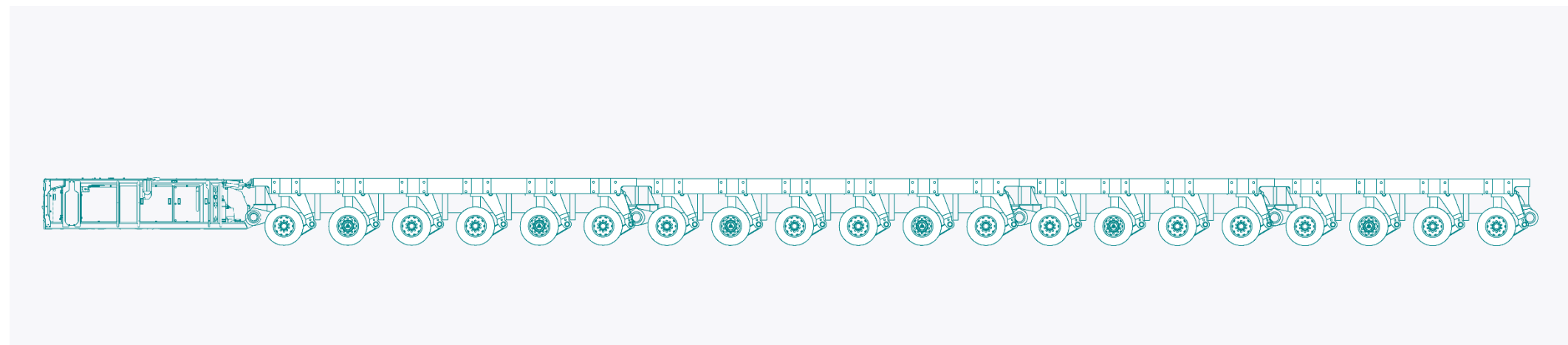
Trucks “MAN”,
“Mercedes”, “Volvo”

- Power up to 680 hp



Modular trailers, modular split axels, lowbed
trailers “Faymonville”

- Capacity up to 36 t/axle



Self-propelled modular transporters “Cometto”

- Capacity 60 t/axle



Anchor tugs

- Power up to 680 hp



Non-self-propelled barges

- Capacity up to 3200 t

- Compliance with the legislation requirements in the field of labor protection, industrial, fire and environmental safety
- Mandatory identification and risk assessment before starting work
- Company is certified in accordance with the standards GOST R ISO 9001-2015, GOST R ISO 14001-2016, GOST R ISO 45001-2020

14

"Golden Rules of Safety"

0

incidents with disability

4,9

mln. rub. per year of investments
in HSE activities



>100 000 t

different cargoes, systems and equipment

7000 t

maximum weight of the lifted load

1300 t

maximum weight of the transported cargo

229 m

maximum lifted load length

47 m

maximum lifting height

370 km

length of the longest road route, with total weight of 517 tons

142 m

maximum lowering depth

300

dives for 1 project



We change construction approach

+7 (495) 926 16 43

office@belugatec.ru

sales@belugatec.ru

BC "Europe Building"
5, Bryanskaya str.
Moscow, 121059

Learn more about us
www.belugatec.ru

